

**REVOLVASHADE™**



Premium Quality Cantilever Umbrellas





## About Revolvashade

For over 30 years Revolvashade® has been a trusted supplier of premium quality Cantilever umbrellas to Australia's leading businesses. Meticulously crafted, our premium umbrellas provide unparalleled shade protection, exuding sophistication and unwavering quality.

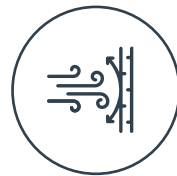


## Why Revolvashade?



### 100% UV protection

Combining the highest quality materials and construction to provide exceptional UV protection.



### Wind resistance up to 110km/hr

We lead the industry with up to 92.5km and 110km/hr wind ratings.



### Up to 8 years warranty

Built for resilience. One Revolvashade umbrella will outlast almost any other regular outdoor umbrella.



### Patented technology

Privacy, protection, ease of use, and near silent operation, you won't find anywhere else.



### 100% Australian made & owned

Designed and manufactured in Queensland for over 30 years.



### Customisable to suit any colour scheme

Choose your size, shape and colours of your frame and canopy.

## The process

1.

### Request a quote

So that we can provide a more accurate quote, we kindly ask that you make your request via our website, or through one of our various retailers, whom you can also find via our website.

2.

### Custom production

Every Revolvashade® umbrella is made to order locally in Queensland. Upon quote acceptance, our sewing specialists and assemblers will produce and quality test your umbrella. Production times are typically around four weeks. We will also have a selection of stock immediately available with our most popular combinations.

3.

### Delivery

Packaged for protection, your umbrella will be delivered to your nominated address. You will also receive the product warrant and installation instructions upon delivery.

4.

### Installation

Revolvashade® products require self-installation, made easy with our detailed instructions and step-by-step guide. Alternatively, when you order through a Revolvashade retailer, you can liaise individually with the retailer regarding their installation options.

5.

### After care

Every Revolvashade® umbrella is quality assured with long-term warranty.

Throughout the entire process, we're with you every step of the way to ensure your expectations are exceeded. If you have any questions about our process, please get in touch. We're more than happy to assist, any time.



## Premium Cantilever Umbrellas

Residential

Commercial

☑ Deluxe

☑ Centre pole

☑ Ultimate

☑ Cantilever

	Residential		Commercial	
	Deluxe	Ultimate	Cantilever	Centre pole
100% UV protection	✓	✓	✓	✓
Single tilt	✓	✓		
Double tilt	(Upgrade Optional)	(Upgrade Optional)		
Height adjustability		✓		
Wind rating (up to)	92.5km/hr	92.5km/hr	110km/hr	110km/hr
Frame warranty	8 years	8 years	8 years	8 years
Fabric warranty	5 years	5 years	5 years	5 years
360 rotation	✓	✓	✓	
Octagonal canopy	✓	✓	✓	✓
Square canopy	✓		✓	✓
Rectangle canopy	✓		✓	✓
100% Acrylic canvas	✓	✓	Fire retardant material available	Fire retardant material available
Cost	\$4,415*	\$5,056*	\$5,445*	\$5,445*

# Revolvashade Deluxe Umbrella

Most popular

## Residential

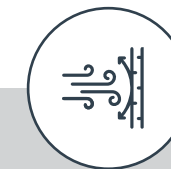
Luxury shade for pool, deck, and dining areas.  
From \$4,415\*

### Standard Inclusions:

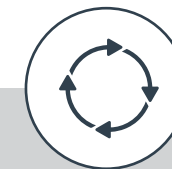
- Frame
- Octagonal or square canopy
- Boltdown or inground base
- Single tilt as standard – allows for an almost vertical tilt
- Double tilt upgrade optional – allows additional canopy tilting on side/side axis
- Storage Cover optional – \$450



100% UV protection



Wind Resistance up to 92.5km /hour



360 degree rotation



8 year frame warranty

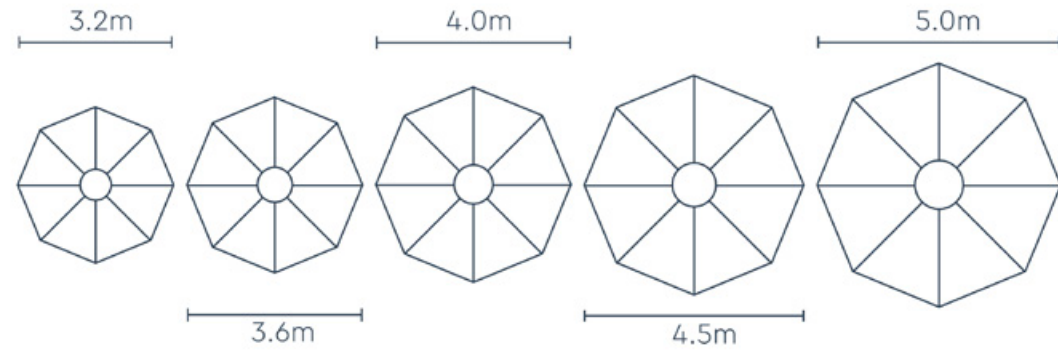


5 year canopy warranty

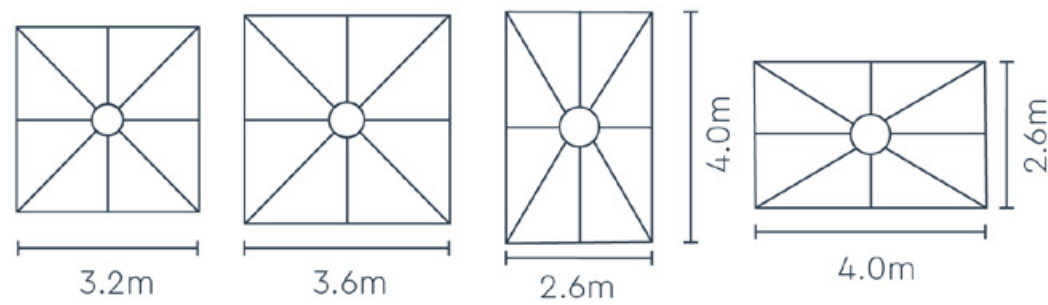


# Shapes and Sizes

## Octagonal Deluxe



## Square / Rectangular Deluxe

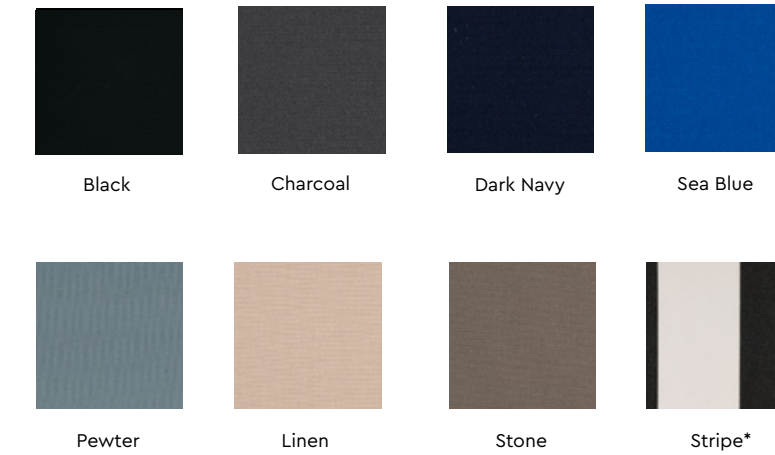


## Base Options



## Canopy Colours

All canopies are made with 100% solution-dyed acrylic canvas for premium strength and fade resistance.



Striped colours are available in Black & White, Dark Blue and White  
\*Striped Canopy Colour is not available in the square umbrella size

## Frame Finishes

High-end UV resistant powdercoated finish.





# Revolvashade Ultimate Umbrella

## Residential

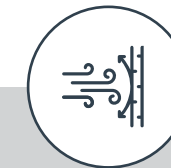
Luxury shade for pool, deck and dining areas with height adjustability.

### Standard Inclusions:

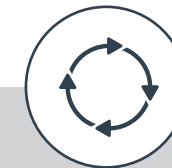
- Height adjustable
- Frame
- Octagonal canopy
- Bolt-down or inground base
- Single tilt as standard – allows tilting on front/back axis
- Double tilt upgrade optional – allows additional canopy tilting on side/side axis.
- Storage cover optional – \$450



100% UV protection



Wind Resistance up to 92.5km /hour



360 degree rotation



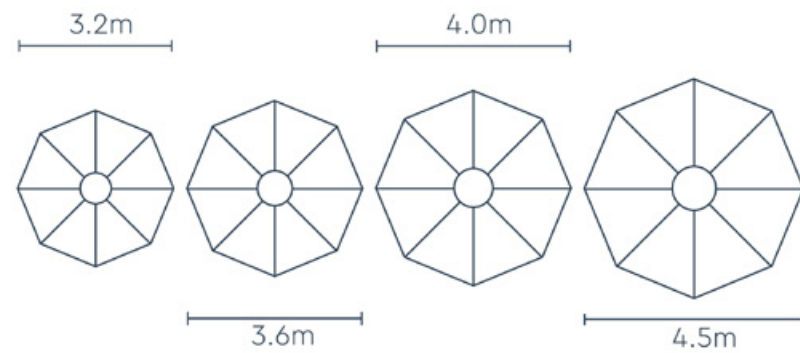
8 year frame warranty



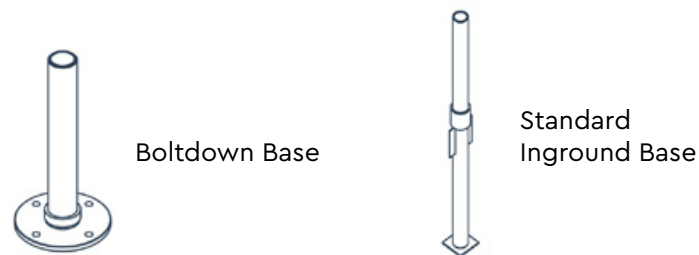
5 year canopy warranty

# Shapes and Sizes

## Octagonal Deluxe

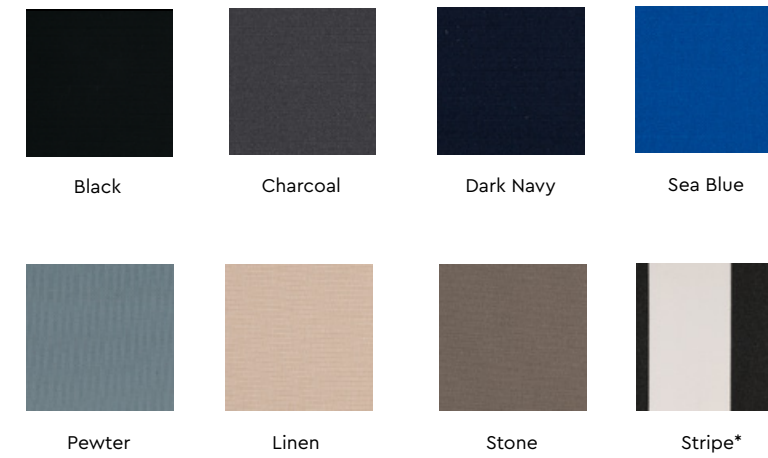


## Base Options



## Canopy Colours

All canopies are made with 100% solution-dyed acrylic canvas for premium strength and fade resistance.



Striped colours are available in Black & White, Dark Blue and White  
 \*Striped canopy colour only available in Octagonal canopy 3.2m, 3.6m and 4.0m size

## Frame Finishes

High-end UV resistant powdercoated finish.







## Revolvashade Rectangular Umbrella

### Residential and commercial

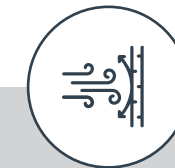
Luxury shade and protection for vehicles, swim spas and dining areas. No council approval required.  
From \$5,785\*

#### Standard Inclusions:

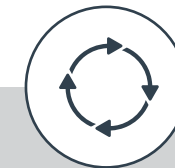
- Frame
- Rectangular canopy (acrylic or fire retardant materials)
- Boltdown or inground base



100% UV  
protection



90km/hour  
wind resistance



360 degree  
rotation



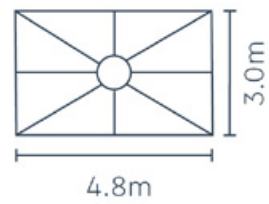
8 year frame  
warranty



5 year canopy  
warranty

# Shapes and Sizes

## Rectangular Shape



## Base Options



Boltdown Base



Inground Base

## Canopy Colours & Material

### 100% Acrylic Canvas

100% solution-dyed acrylic canvas for premium strength and fade resistance.



Black

Charcoal

Dark Navy

Sea Blue



Pewter

Linen

Stone

## Fire Retardant Melher FR580

- PVC Coated Low-wick polyester base fabric
- PVDF lacquer to the top side\*
- UV Stabilised
- Fire Retardant (Tested to AS1530.2 & AS1530.3)
- Anti-Fungicides
- Wide Colour Selection

### Premium



### Matte



### Metallics



## Frame Finishes

High-end UV resistant powdercoated finish.



TEXTURED BLACK



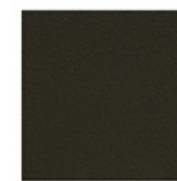
TEXTURED WHITE



TEXTURED SILVER



TEXTURED PRIMROSE



TEXTURA WOODLAND GREY



# Revolvashade Commercial Cantilever Umbrella

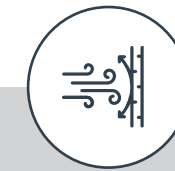
Luxury shade and protection for resorts, hotels, clubs, kindergartens, and any other outdoor setting.  
From \$5,445\*

## Standard Inclusions:

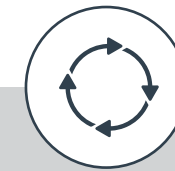
- Frame
- Octagonal or square canopy
- Bolt-down or inground base



100% UV protection



Wind Resistance up to 110km /hour



360 degree rotation



8 year frame warranty

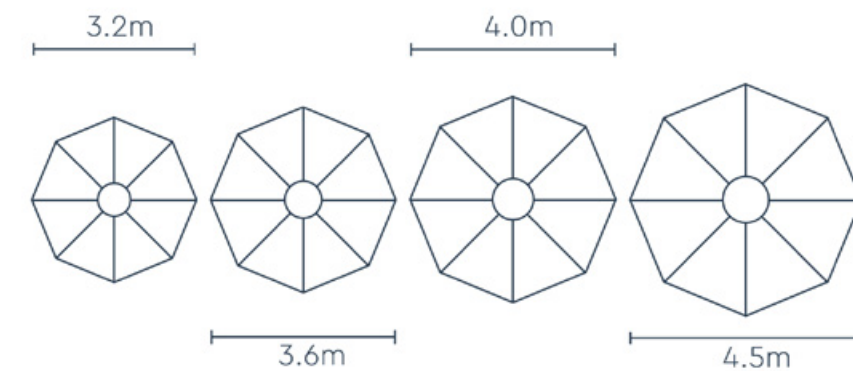


5 year canopy warranty

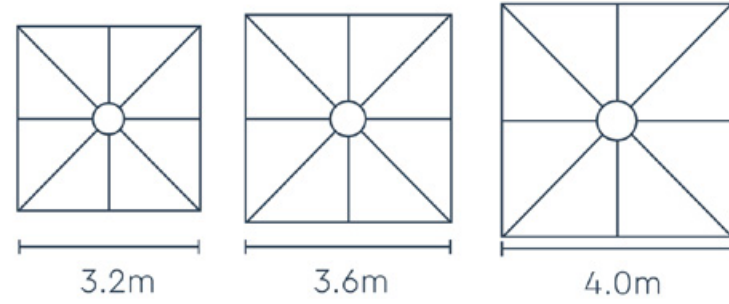
## Shapes and Sizes



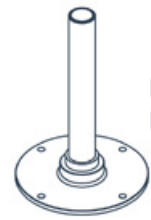
### Octagonal



## Square



## Base Options



Large Bolt-down Base



Large Inground Base

## Canopy Colours & Material

### 100% Acrylic Canvas

100% solution-dyed acrylic canvas for premium strength and fade resistance.



## Fire Retardant Melher FR580

- PVC Coated Low-wick polyester base fabric
- PVDF lacquer to the top side\*
- UV Stabilised
- Fire Retardant (Tested to AS1530.2 & AS1530.3)
- Anti-Fungicides
- Wide Colour Selection

### Premium



### Matte



### Metallics



## Frame Finishes

High-end UV resistant powdercoated finish.



# Revolvashade Centre Pole Commercial

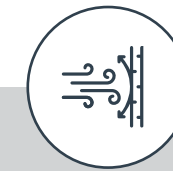
Luxury shade and protection for resorts, hotels, clubs, kindergartens, and any other outdoor setting.  
From \$5,445\*

## Standard Inclusions:

- Frame
- Octagonal or square canopy
- Boltdown or inground base



100% UV protection



Wind Resistance up to 110km/hour



8 year frame warranty

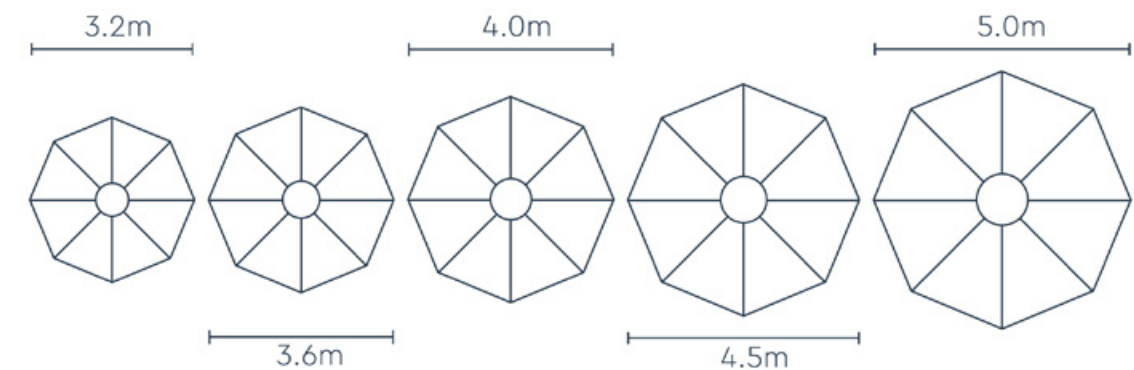


5 year canopy warranty

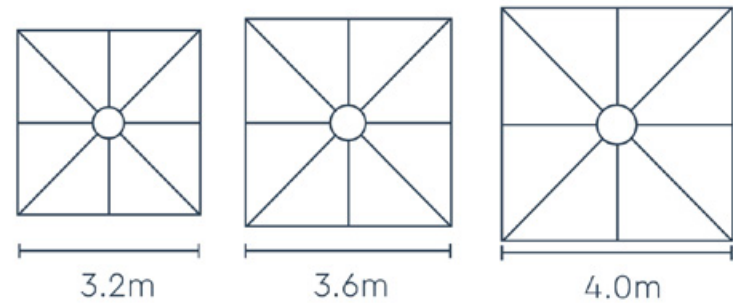
## Shapes and Sizes



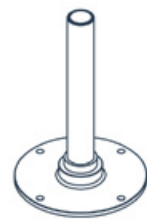
### Optagonal



## Square



## Base Options



Large  
Boltdown Base



Large  
Inground Base

## Canopy Colours & Material

### 100% Acrylic Canvas

100% solution-dyed acrylic canvas for premium strength and fade resistance.



## Fire Retardant Melher FR580

- PVC Coated Low-wick polyester base fabric
- PVDF lacquer to the top side\*
- UV Stabilised
- Fire Retardant (Tested to AS1530.2 & AS1530.3)
- Anti-Fungicides
- Wide Colour Selection

### Premium



### Matte



### Metallics



## Frame Finishes

High-end UV resistant powdercoated finish.





## Shade where and when you need it

Place an enquiry today and let's work together to create your ideal premium Cantilever umbrella.

Place your enquiry today  
[revolvashade.com/contact](http://revolvashade.com/contact)

Find your nearest retailer  
[revolvashade.com/wheretobuy](http://revolvashade.com/wheretobuy)

### QLD

Revolvashade HQ  
 2/50 Link Drive,  
 Yatala QLD 4207  
 (07) 3889 6844

Daydream Leisure Furniture Noosa  
 1/37 Gibson Rd, Noosaville  
 Noosa QLD 4566  
 (07) 5449 9336

Living on the Outside  
 Shop B4/103 Duckworth St,  
 Garbutt QLD 4814  
 (07) 4775 4896

Daydream Leisure Furniture Warana  
 Corner Main Drive &, Nicklin Way, Warana  
 Sunshine Coast QLD 4575  
 (07) 5493 4277

Ocean Reef Pools  
 Unit 1/1-15 Centurion Dr, Paget  
 Mackay QLD 4740  
 (07) 4952 6955

Narellan Pools Mackay  
 8 Grendon St,  
 North Mackay QLD 4740  
 1300 676 657

Graham's Cool Shades  
 119 Julie Anne Drive,  
 Rockhampton QLD 4711  
 0429 024 610

Narellan Pools Whitsundays  
 1697 Shute Harbour Rd,  
 Cannon Valley QLD 4800  
 1300 676 657

Lume Outdoor Living  
 532 Kessels Rd,  
 Macgregor QLD 4109  
 (07) 3849 3866

Narellan Pools Capricorn Coast  
 42 Noon Drive,  
 Inverness QLD 4703  
 0436 306 535

Coastal Blinds  
 2/43 Commercial Street,  
 Bundaberg 4670  
 (07) 4152 7334

Narellan Pools Townsville  
 1-7 Rendle Street,  
 Aitkenvale, QLD 4814  
 (07) 4728 3794

Brisbane Spa Super Centre  
 819 Beaudesert Rd, Archerfield QLD  
 South Brisbane QLD 4108  
 1300 180 743

Narellan Pools Fraser Coast  
 95-97 Islander Rd,  
 Pinalba QLD 4655  
 1300 676 657

Bask Outdoor Living  
 29 Upton St, Bundall,  
 Gold Coast, Queensland 4217  
 (07) 5592 5256

Burleigh Pool Solutions  
 3 Jabairu Ave,  
 Burleigh Waters QLD 4220  
 0432 080 112

Shade Solutions Queensland  
 Unit 1/41 Deakin Street  
 Brendale QLD 4500  
 (07) 3205 9913

Pool Equipment Brisbane  
 42 Noon Drive  
 Ipswich, QLD 4305  
 0455 105 800

Tru-Blue Shades  
 Upper Coomera,  
 Gold Coast QLD 4209  
 0404 840 543

Pickers Vinyl & Canvas  
 270 Mulgrave road  
 Cairns, QLD 4870  
 07 4051 3290

## NEW SOUTH WALES

Creative Canvas Sydney  
33/5 Ponderosa Parade,  
Warriewood NSW 2102  
(02) 9979 6477

Narellan Pools Central West & Blue Mountains  
125 Sydney Rd,  
Kelso NSW 2795  
(02) 6331 4453

mySpa Sydney  
Unit 4/10 Hudson Ave, Castle Hill  
Sydney Queensland 2154  
(02) 8850 6550

Narellan Pools Riverina  
86 Hammond Ave,  
Wagga Wagga NSW 2650  
(02) 6921 8108

Narellan Pools Western Plains  
70 Victoria St,  
Dubbo NSW 2830  
(02) 6884 3117

Narellan Pools Camden & Southern Highlands  
562 Wilson Drive,  
Balmoral Village NSW 2571  
0499 499 392

## ACT

ACT Shade  
Unit 2 / 87 Hoskins St,  
Mitchell ACT 2911  
0418 631 742

## VIC

Umbrella Paradise Melbourne  
William Road,  
Berwick VIC 3806  
0458 281 515

Paradise Pools Echuca  
1/9 Matong Road, Echuca,  
VIC 3564  
0419 115 821

## NT

Aerosail Engineered Fabric Structures  
Unit 3, 101 Coonawarra Road, Winnellie  
Darwin NT 0820  
(08) 8947 2880

## WA

Finbrella  
79 Forsyth Street,  
O'Connor, WA 6163  
0499 266 026





# REVOLVASHADE™

Specialists in premium outdoor living spaces.

For stylish, all weather outdoor solutions contact:  
**07 3889 6844** or email **[sales@oceanicshade.com](mailto:sales@oceanicshade.com)**

